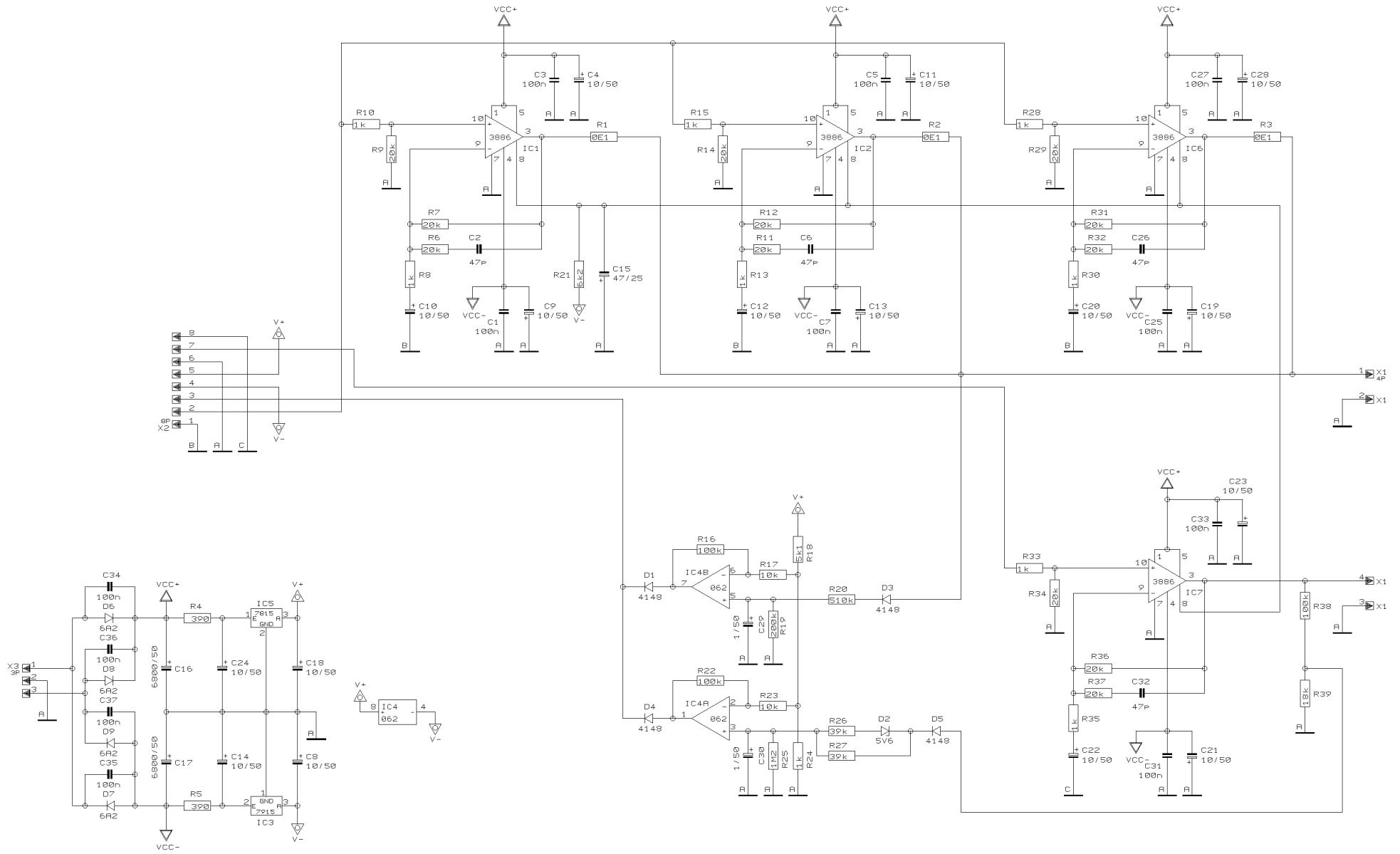


REVISIONS E (120400)

DRAWN DF CHECKED DATE 19.02.1 8:30



PROJECT XOVER ULTRAWAVE (B300) INPUT / LIMITER / XOVER SHEET 1 OF 1 SHEETS TOTAL



REVISIONS		E	
DRAWN	FR	CHECKED	DATE 19.02. 1 8:27



PROJECT	B300
POWER AMPLIFIER	
SHEET 1	OF 1 SHEETS TOTAL